

PTi-I 2X70/220...240

POWERTRONIC INTELLIGENT I | ECG for HID lamps, with cable clamp



- Shop lighting
- Health and fitness areas
- Effect and accent lighting

Product benefits

- Extended terminal section enables mains looping
- Screw-down cable clamps for reliable strain relief
- Long reliable life at maximum permitted temperatures
- Integrated socket/plug offers many benefits (SNAP)
- Rapid error-free installation of the power and luminaire connections (SNAP)
- Incorrect wiring virtually impossible thanks to coded plug/socket (SNAP)
- Based on the established ST 18/GST 18 plug system (SNAP)

Product features

- Energy Efficiency Index EEI: A2
- Supply voltage: 220...240 V
- Line frequency: 50...60 Hz
- RI suppression: to EN 55015/CISPR 15
- Safety: to EN 61347-2-12
- Line harmonics: to EN 61000-3-2
- Immunity: to EN 61547



Technical data

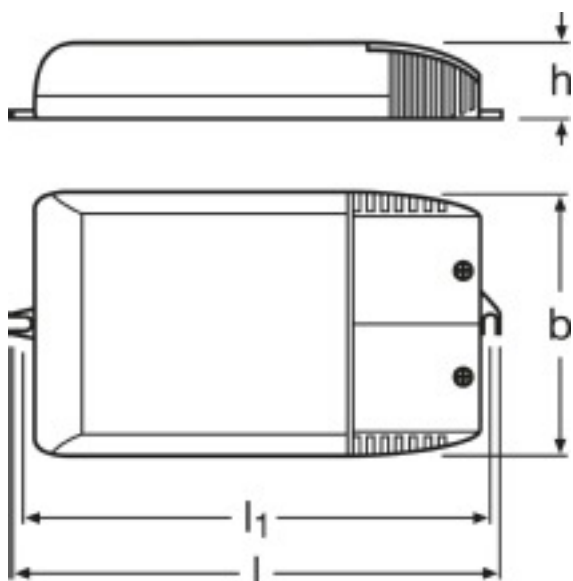
Electrical data

System wattage	159 W
Lamp wattage	2*73 W
Voltage Range	198...254 V
Line current	0.35 A
Rated power factor λ	0.95 ¹⁾
Max. no. of ECGs on circuit breaker 10 A	4
Max. no. of ECGs on circuit breaker 16 A	7
Operating frequency	0.165 kHz
U-OUT	250 V
Max. working voltage between LH and LL	250 V
Max. working voltage betw. LL/LH & earth	250 V
Max. capacitance of wire ECG/lamp	120 pF
Ignition voltage	4.5 kVp
Input voltage	220...240 V
Mains frequency	50/60 Hz

¹⁾ Minimum

Dimensions & weight

Product weight	450.00 g
Cable cross-section, input side	0.75...2.5 mm ²
Cable cross-section, output side	0.75...2.5 mm ²
Height	32.0 mm
Length	207.0 mm
Mounting hole spacing, length	215.0 mm
Width	96.0 mm
Wire preparation length, input side	10...11 mm
Wire preparation length, output side	10...11 mm



Product line drawing with letters

Temperatures

Ambient temperature range	-25...+50 °C
Maximum temperature at tc test point	75 °C

Lifespan

ECG lifetime	40000 h ¹⁾
--------------	-----------------------

¹⁾ At maximum T_c / 10 % failure rate

Additional product data

Design / version	With cable clamp
ECG efficiency	92 %

Capabilities

Overheating protection	Automatic switch off, reversible by mains reset
------------------------	---

Capabilities

ECG reset time	> 0.5 s
Maximum wiring length ECG/lamp	1.5 m
Cable types, input side	NYM-J 3x1.5 / NYM-J 3x2.5 / H05VV-F 3x1.5 / NHXMH-J 3x1.5 mm ²
Cable types, output side	SIHF-J 3x1.5 / SIHF-J 3x2.5 / N2GMH2G 3x1 mm ²
Dimmable	No
Overload protection	No
Restriction on ignition time	20 min
Suitable for fixtures with prot. class	I

Certificates & standards

Approval marks – approval	ENEC 10 / VDE / VDE-EMC / GHOST / C-Tick
EEI – Energy Label	A2
Standards	acc. to EN 61347-2-12 / acc. to EN 55015 / acc. to EN 61000-3-2 / acc. to EN 61547 / acc. to EN 62493

Lamp-ECG combination (System)

HCI-E/P 70W

Products

HCI-E/P 70W/830 WDL PB COATED E27

HCI-PAR30 70W

Products

HCI-PAR30 70W/830 WDL PB 40D E27

HCI-PAR30 70W/930 WDL PB FL E27

HCI-PAR30 70W/930 WDL PB SP E27

HCI-PAR30 70W/942 ND L PB FL E27

HCI-PAR30 70W/942 ND L PB SP E27

HCI-T 70W

Products

HCI-T 70W/830 WDL PB G12

HCI-T 70W/930 PB SHOP G12

HCI-T 70W/930 WDL PB Plus G12

HCI-T 70W/942 ND L PB G12

HCI-TC 70W

Products

HCI-TC 70W/830 WDL PB G8,5

HCI-TC 70W/930 PB SHOP G8,5

HCI-TC 70W/930 WDL PB Plus G8.5

HCI-TC 70W/942 ND L PB G8,5

HCI-TS 70W

Products

HCI-TS 70W/830 WDL PB RX7S

HCI-TS 70W/942 NDL PB RX7S

HCI-TX/P 70W

Products

HCI-TX/P 70W/930 WDL PB GU8.5

HCI-TX/P 70W/942 NDL PB GU8.5

HQI 70

Products

HQI-E 70W/NDL CLEAR E27

HQI-E 70W/NDL COATED E27

HQI-E 70W/WDL CLEAR E27

HQI-E 70W/WDL COATED E27

HQI-TS 70W/D UVS RX7S

HQI-T 70W

Products

HQI-T 70W/NDL UVS G12

HQI-T 70W/WDL UVS G12

HQI-TS 70W

Products

HQI-TS 70W/BL EXCELLENCE RX7S

HQI-TS 70W/CD EXCELLENCE RX7S

HQI-TS 70W/D/EXCELLENCE R7S

HQI-TS 70W/GN EXCELLENCE RX7S

HQI-TS 70W/MG EXCELLENCE RX7S

HQI-TS 70W/NDL/EXCELLENCE R7S

HQI-TS 70W/WDL/EXCELLENCE Rx7S



Guarantee



Guarantee

Equipment / Accessories

- Precabled versions available on request

Logistical Data

Product code	Packaging unit (Pieces/Unit)	Dimensions (height x width x length)	Gross weight	Volume
4008321910042	Unpacked 1	33 mm x 98 mm x 215 mm	460.29 g	0.70 dm ³
4008321910059	Shipping carton box 20	479 mm x 100 mm x 496 mm	10405.00 g	23.76 dm ³

Disclaimer

Subject to change without notice. Errors and omission excepted. Always make sure to use the most recent release.