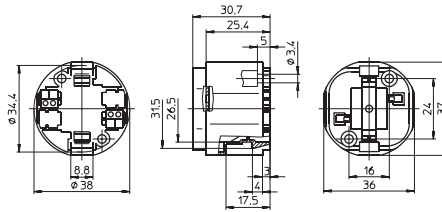


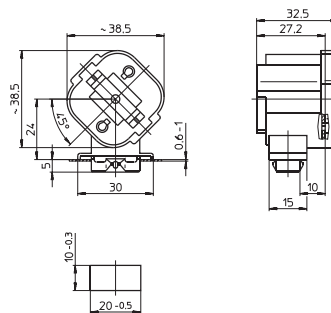
G24, GX24 vertical 2-hole or cover cap mount lampholders  
 Casing: PBT GF, white, T140  
 Nominal rating: 75 W/600 V  
 Rear slip hole for self-tapping screws  
 acc. to ISO 1481/7049-ST4.2-C/F  
 Plain casing  
 Front slip hole for screws M3



Type	Ref. No.	Base	Lamp	Output (W)	Weight (g)	Unit (pcs.)
35815	<b>107858</b>	G24d-1/GX24d-1	TC-D/TC-T	8, 10, 13 / 13	17.5	500
35845	<b>107859</b>	G24d-2/GX24d-2	TC-D/TC-T	18 / 18	17.5	500
35865	<b>107860</b>	G24d-3/GX24d-3	TC-D/TC-T	26 / 26	17.5	500
35915	<b>107862</b>	G24q-1/GX24q-1	TC-DEL/TC-TEL	10, 13 / 13	17.5	500
35945	<b>107864</b>	G24q-2/GX24q-2	TC-DEL/TC-TEL	18 / 18	17.5	500
35965	<b>107866</b>	G24q-3/GX24q-3	TC-DEL/TC-TEL	26 / 26, 32	17.5	500
35935	<b>508428</b>	GX24q-3/-4*	TC-TEL	26, 32, 42	17.5	500
35985	<b>500107</b>	G24q-4/GX24q-4	TC-TEL	42	17.5	500

\* Lampholder 508428 may only be used in luminaires that are operated with electronic ballasts that have been certified according to the applicable standards and that cover the luminaire performance range of 26, 32 and 42 W.

G24, GX24 horizontal snap-in mount lampholders  
 Casing: PBT GF, white, T140  
 Nominal rating: 75 W/600 V  
 Lamp position: 45°  
 Snap-in foot for cut-out 10x20 mm



Type	Ref. No.	Base	Lamp	Output (W)	Weight (g)	Unit (pcs.)
35813	<b>101412</b>	G24d-1/GX24d-1	TC-D/TC-T	8, 10, 13 / 13	17.0	500
35843	<b>101436</b>	G24d-2/GX24d-2	TC-D/TC-T	18 / 18	17.0	500
35863	<b>101450</b>	G24d-3/GX24d-3	TC-D/TC-T	26 / 26	17.0	500
35913	<b>101460</b>	G24q-1/GX24q-1	TC-DEL/TC-TEL	10, 13 / 13	17.0	500
35943	<b>101468</b>	G24q-2/GX24q-2	TC-DEL/TC-TEL	18 / 18	17.0	500
35963	<b>101473</b>	G24q-3/GX24q-3	TC-DEL/TC-TEL	26 / 26, 32	17.0	500
35933	<b>505738</b>	GX24q-3/-4*	TC-TEL	26, 32, 42	17.0	500

\* Lampholder 505738 may only be used in luminaires that are operated with electronic ballasts that have been certified according to the applicable standards and that cover the luminaire performance range of 26, 32 and 42 W.