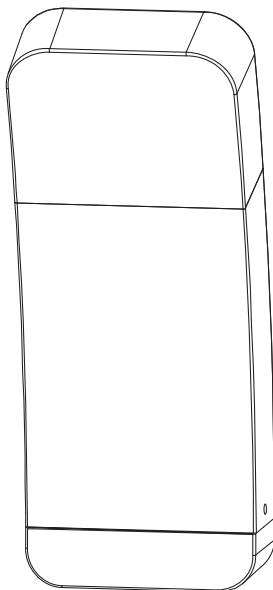
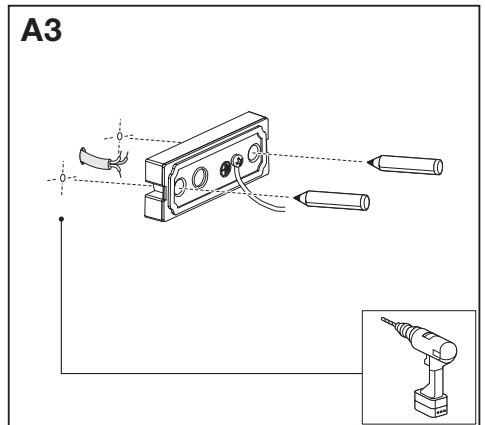
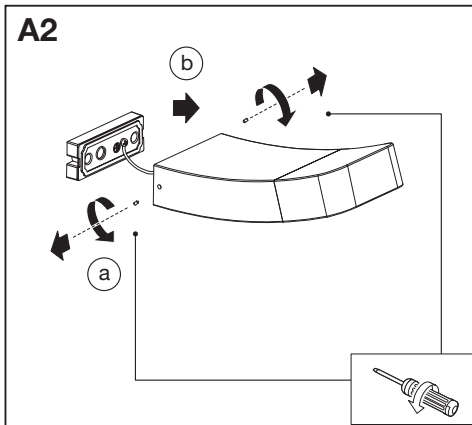
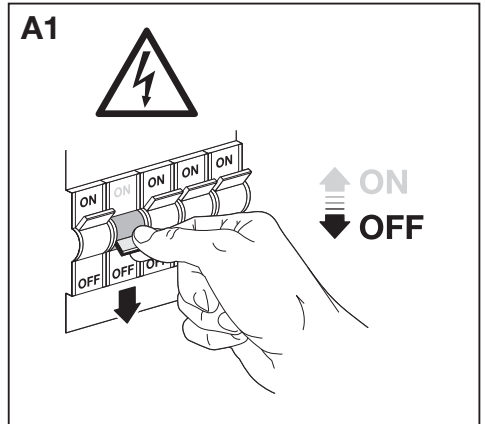
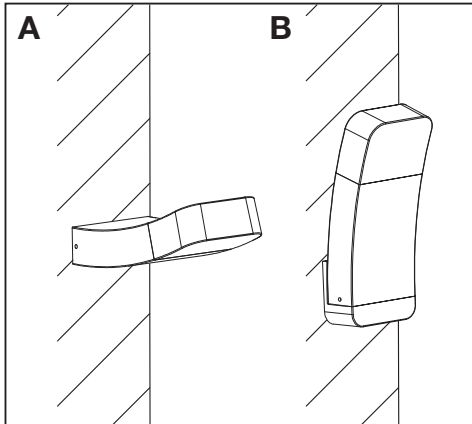
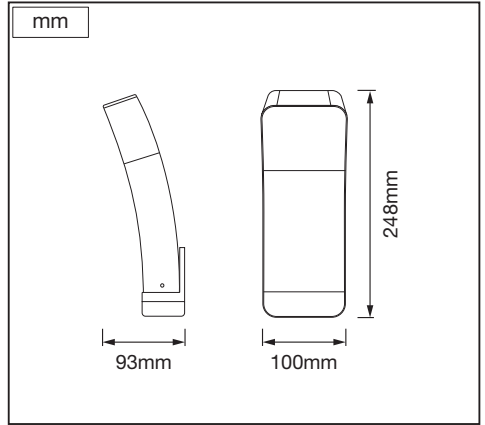
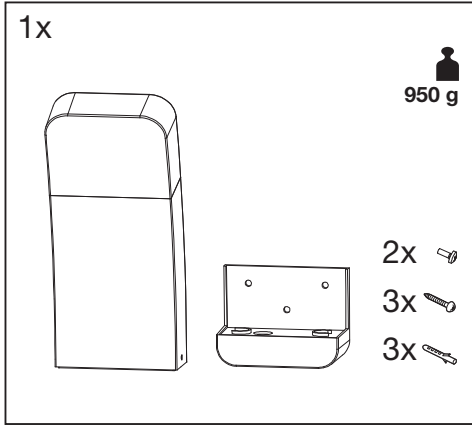


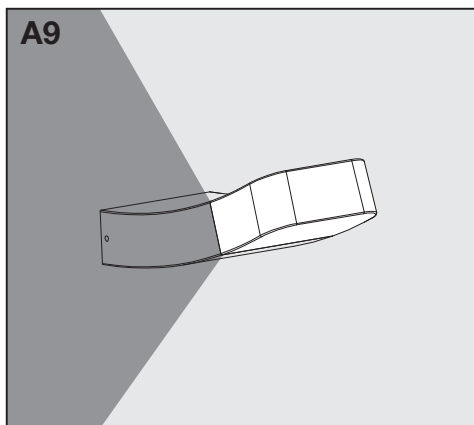
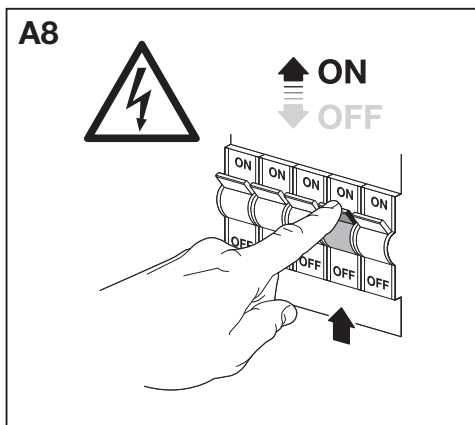
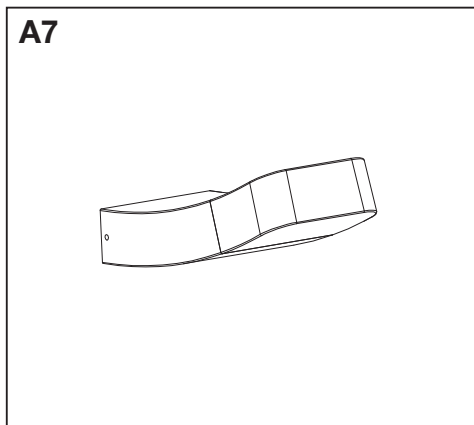
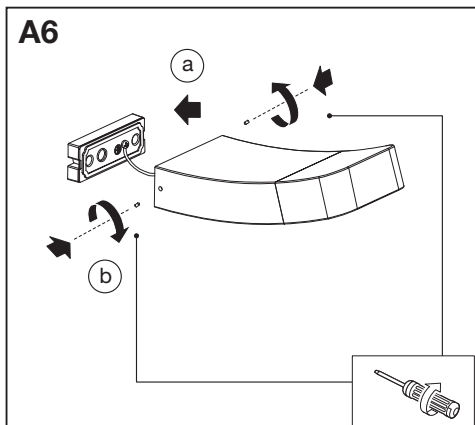
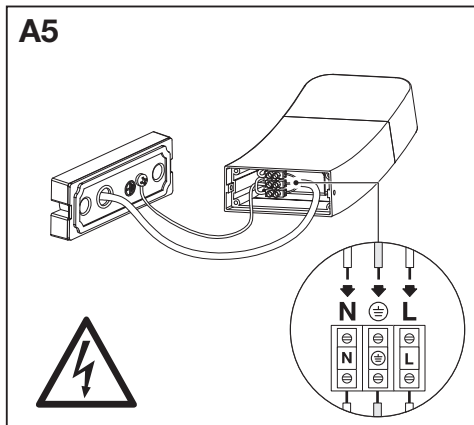
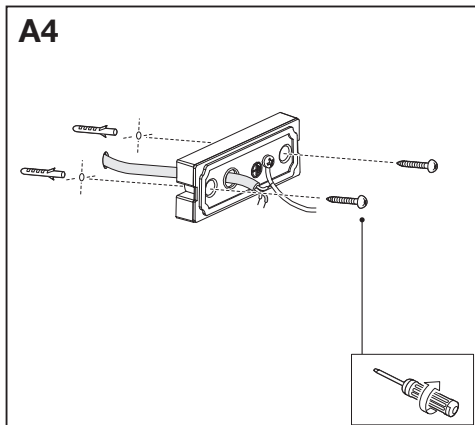


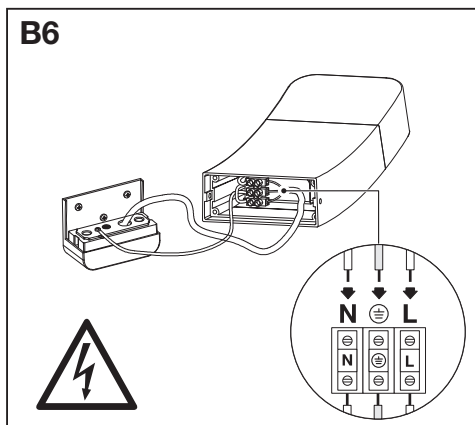
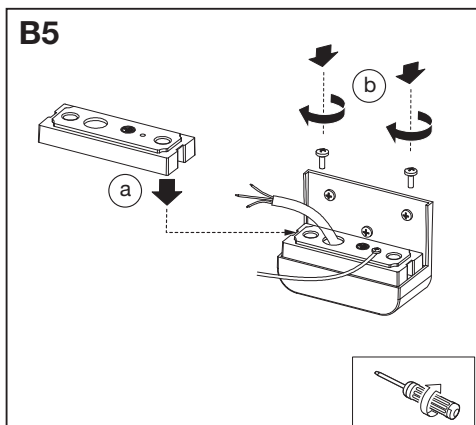
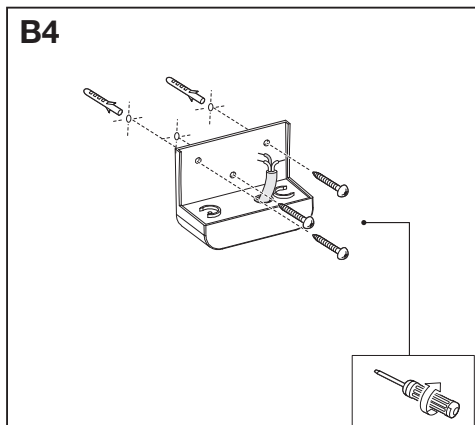
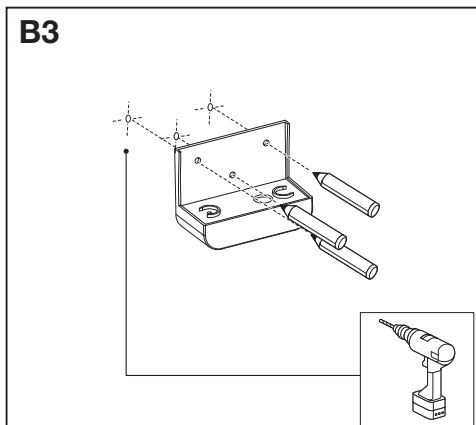
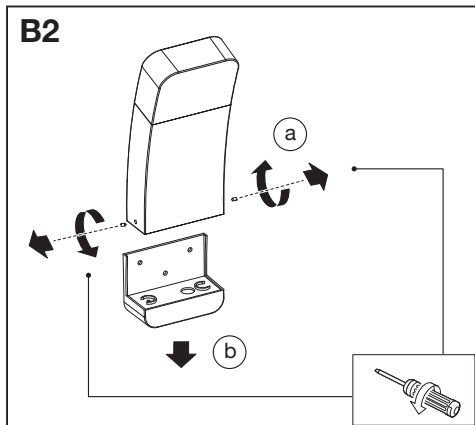
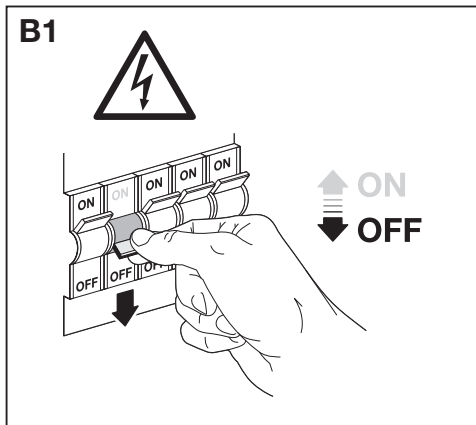
## SMART<sup>+</sup> WIFI CURVE



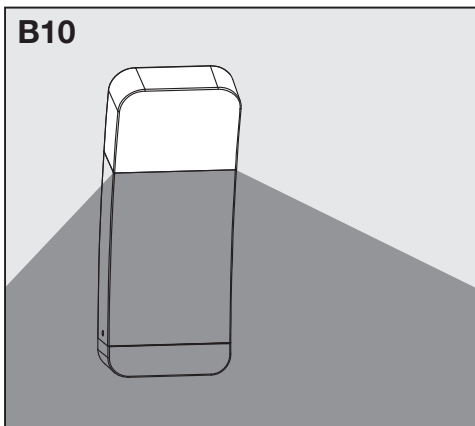
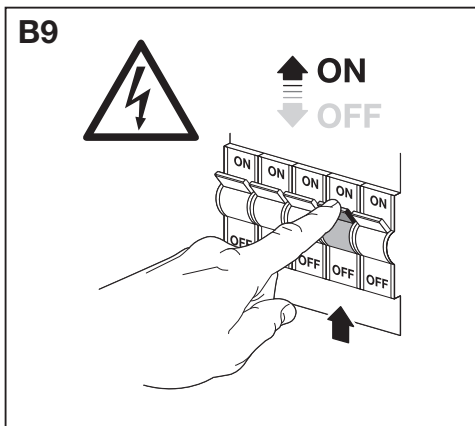
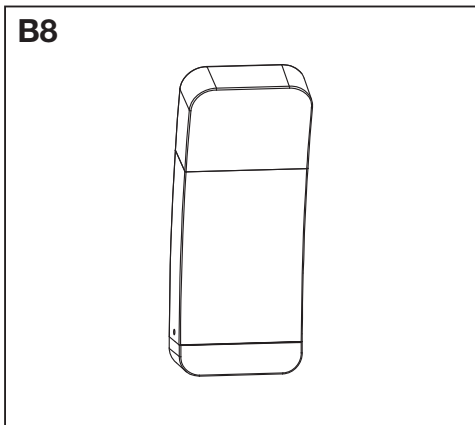
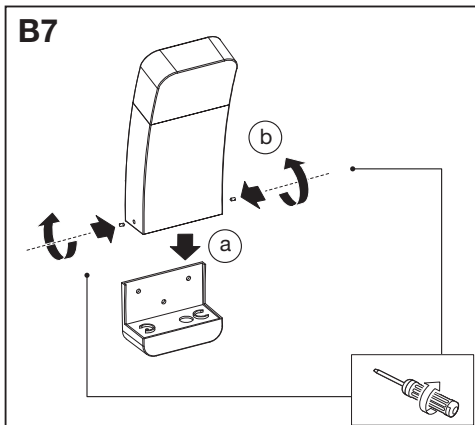
	EAN	W	lm	K	ΔT (°C)	V~	mA	Hz	DF
SMART OUTD WIFI CURVE WALL RGBW DG	4058075478336	10	550	3000	-20...+40	220-240	70	50/60	≥0.7
SMART OUTD WIFI CURVE WALL RGBW SI	4058075478350	10	550	3000	-20...+40	220-240	70	50/60	≥0.7









**SMART+ WIFI CURVE**



	EAN	This product contains a light source of energy efficiency class	Contained Light Source
SMART OUTD WIFI CURVE WALL RGBW DG	4058075478336	F	
SMART OUTD WIFI CURVE WALL RGBW SI	4058075478350	F	



C10567405  
G11124431  
07.07.2021



LEDVANCE GmbH  
Steinerne Furt 62  
86167 Augsburg, Germany  
[www.ledvance.com](http://www.ledvance.com)