

PRODUCT DATASHEET

SMART+ Modern Lantern 50cm Multicolor

Smart+ Modern Lantern Multicolor | Outdoor lantern with Bluetooth technology



Areas of application

- Outdoor use (IP44)

Product benefits

- Easy to install and use
- Colorful garden lighting with smart and intelligent control options
- Uses multi color and cold or warm white light for most flexible lighting scenes
- Combines the functionality of general lighting and mood lighting

Product features

- Available as wall and bollard luminaires
- Controllable via LEDVANCE SMART+ App (with minimum Android 6.0 or iOS 11.0)
- RGB color control, approx. 16 million color options adjustable
- Adjustable color temperature via Tunable White: 2,000...6,500 K
- Dimmable
- Diffuser made of clear polycarbonate
- Network protocol: Bluetooth
- For full functionality with control via Apple Home App connection to Apple TV (with tvOS 10 or later) or iPad (with iOS 10 or later) required



TECHNICAL DATA

Electrical data

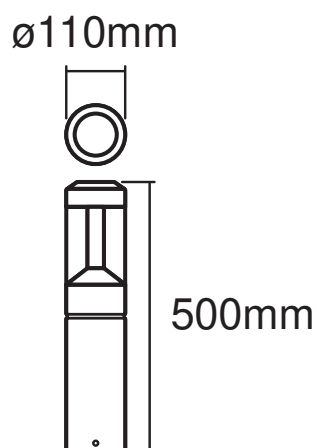
| | |
|------------------------|---------------|
| Nominal wattage | 12.00 W |
| Nominal voltage | 220...240 V |
| Mains frequency | 50...60 Hz |
| Power factor λ | > 0.50 |
| Protection class | I |
| Operating mode | Mains voltage |

Photometrical data

| | |
|---------------------------|---------------|
| Luminous flux | 650 lm |
| Luminous efficacy | 52 lm/W |
| Color temperature | 2000...6500 K |
| Light color (designation) | RGBW |
| Color rendering index Ra | 80 |
| Beam angle | 360 ° |

Dimensions & Weight

| | |
|----------------|-----------|
| Diameter | 110.00 mm |
| Height | 500.00 mm |
| Product weight | 1850.00 g |



Materials & Colors

| | |
|-----------------|--------------------|
| Product color | Dark gray |
| Housing color | Dark gray |
| Body material | Aluminum |
| Cover material | Polycarbonate (PC) |
| Mercury content | 0.0 mg |

Application & Mounting

| | |
|---------------------------|-----------------|
| Ambient temperature range | -20...+40 °C |
| Type of connection | Terminal |
| Type of protection | IP44 |
| Dimmable | Yes |
| Type of dimming | Bluetooth |
| Mounting type | Surface |
| Mounting location | Ground |
| Application environment | Outdoor |
| LED module replaceable | Not replaceable |
| With light source | Yes |

Lifespan

| | |
|----------------------------|---------|
| Lifespan L70/B50 at 25 °C | 25000 h |
| Number of switching cycles | 100000 |

Certificates & Standards

| | |
|-----------|----|
| Standards | CE |
|-----------|----|

Additional product data

| | |
|----------------|--|
| Product remark | Reset settings to default by switching the product on for three seconds and off for three seconds and repeating this five times. |
|----------------|--|

EQUIPMENT / ACCESSORIES

- For control via LEDVANCE SMART + App Android smartphone (with Android 6.0 and later) required
- For control via Apple Home App iPhone (with iOS 10 or later), iPad (with iOS 10 or later) , Apple TV (with tvOS 10 or later) or Apple Watch (with watchOS 2 or later) required
- Power supply included

DOWNLOAD DATA

DOWNLOAD DATA



User instruction



Declarations Of Conformity CE

LOGISTICAL DATA

| Product code | Packaging unit (Pieces/Unit) | Dimensions (length x width x height) | Gross weight | Volume |
|---------------|------------------------------|--------------------------------------|--------------|-----------------------|
| 4058075184589 | Folding box 1 | 194 mm x 194 mm x 536 mm | 1988.00 g | 20.17 dm ³ |
| 4058075232921 | Shipping box 2 | 400 mm x 202 mm x 546 mm | 4594.00 g | 44.12 dm ³ |

The mentioned product code describes the smallest quantity unit which can be ordered. One shipping unit can contain one or more single products. When placing an order, for the quantity please enter single or multiples of a shipping unit.

DISCLAIMER

Subject to change without notice. Errors and omission excepted. Always make sure to use the most recent release.