



# CorePro LED PLC 2P



## CorePro LED PLC 8.5W 840 2P G24d-3

CorePro LED PLC 2P integrates a LED light source into a traditional fluorescent form factor. This product is the ideal solution for uplampping in general lighting applications: it meets basic lighting requirements, offers significant energy savings, and is environmentally friendly.

### Product data

General Information	
Cap-Base	G24D-3 [G24d-3]
Nominal lifetime	30,000 hour(s)
Switching Cycle	50,000
Lighting Technology	LED
Flux measurement reference	Sphere
Light Technical	
Color Code	840 [CCT of 4000K]
Beam Angle (Nom)	120 degree(s)
Luminous Flux	1,000 lumen
Color Designation	Cool White (CW)
Correlated Color Temperature (Nom)	4000 K
Luminous Efficacy (rated) (Nom)	105.88 lm/W
Color Consistency	<6
Color rendering index (CRI)	83
LLMF At End Of Nominal Lifetime (Nom)	70 %
Operating and Electrical	
Line Frequency	50 to 60 Hz
Input Frequency	50 to 60 Hz
Power Consumption	8.5 W
Starting Time (Nom)	0.5 s

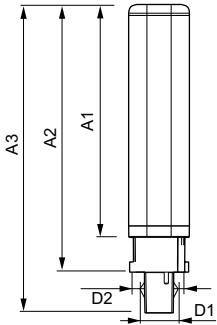
Warm-up time to 60% light	0.5 s
Power Factor (Fraction)	0.9
Voltage (Nom)	220-240 V
Temperature	
Ambient temperature range	-20 °C to 35 °C
T-Case Maximum (Nom)	75 °C
Controls and Dimming	
Dimmable	No
Mechanical and Housing	
Bulb Material	Plastic
Product Length	200 mm
Bulb Shape	Tube, single-ended
Approval and Application	
Energy Efficiency Class	F
Energy Saving Product	Yes
Approval Marks	TUV CE marking RoHS compliance KEMA Keur certificate
Energy Consumption kWh/1000 h	9 kWh
EPREL Registration Number	403555

# CorePro LED PLC 2P

CE mark	Yes
EU RoHS compliant	Yes
<b>Product Data</b>	
Full product code	871869654125800
Order product name	CorePro LED PLC 8.5W 840 2P G24d-3
Order code	929001201302

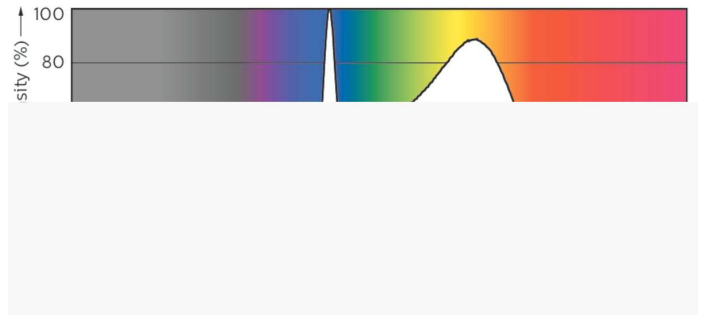
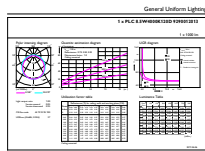
Numerator - Quantity Per Pack	1
Numerator - Packs per outer box	10
Material number (12NC)	929001201302
Full product name	CorePro LED PLC 8.5W 840 2P G24d-3
EAN/UPC - Case	8718696541265

## Dimensional drawing



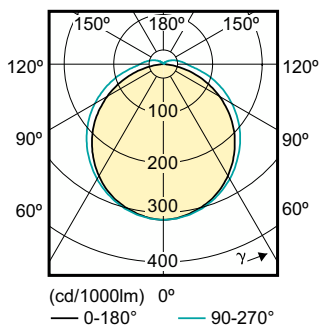
Product	D1	D2	A1	A2	A3
CorePro LED PLC 8.5W 840 2P G24d-3	24.3 mm	28.4 mm	128.8 mm	148 mm	170.6 mm

## Photometric data



General uniform lighting - CorePro LED PLC 8.5W 840 2P G24d-3

Spectral Power Distribution Colour - CorePro LED PLC 8.5W 840 2P G24d-3



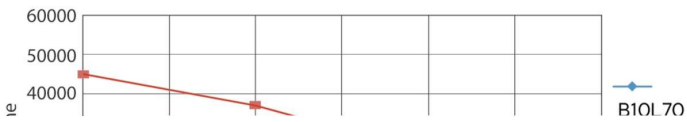
Light Distribution Diagram - CorePro LED PLC 8.5W 840 2P G24d-3

# CorePro LED PLC 2P

## Lifetime



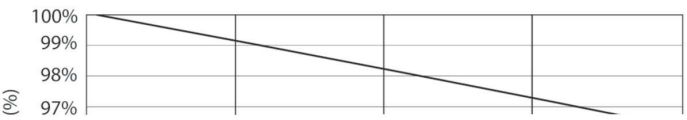
Life Expectancy Diagram - CorePro LED PLC 8.5W 840 2P G24d-3



Life Expectancy Diagram - CorePro LED PLC 8.5W 840 2P G24d-3



Life Expectancy Diagram - CorePro LED PLC 8.5W 840 2P G24d-3



Lumen Maintenance Diagram - CorePro LED PLC 8.5W 840 2P G24d-3

Lumen Maintenance Diagram - CorePro LED PLC 8.5W 840 2P G24d-3

## CorePro LED PLC 2P

