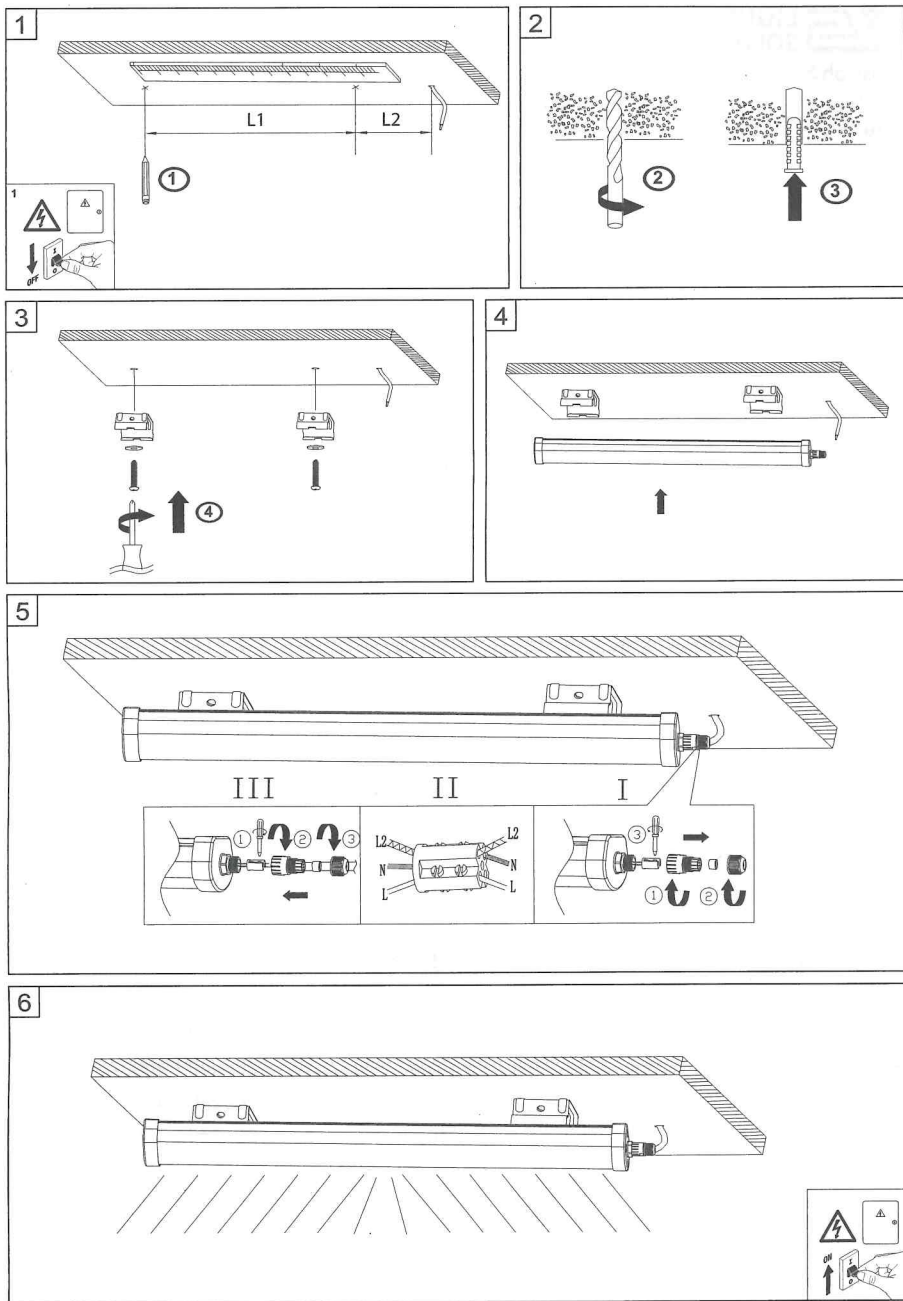
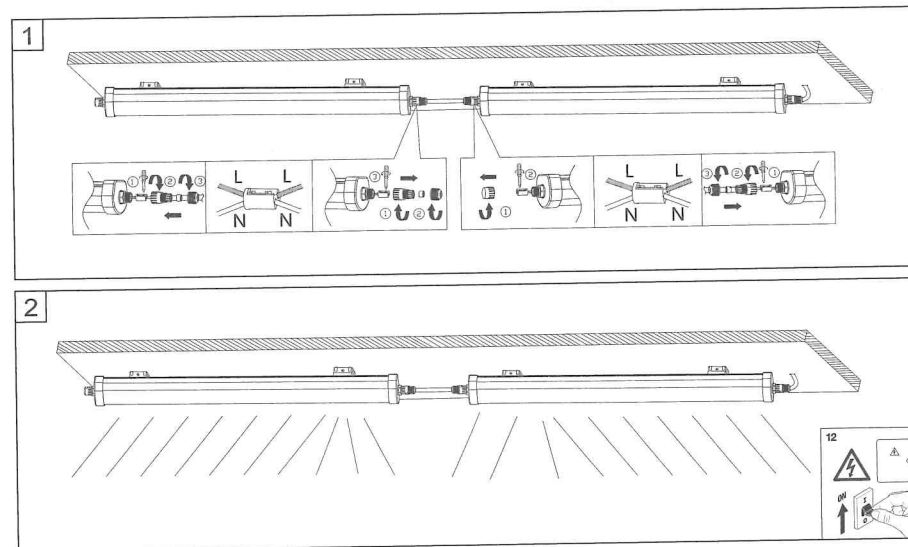


Product assembly drawing:



Through wiring(-T)



DE Allgemeine Sicherheits- und Montagehinweise für Leuchten

EN General Safety and Installation Instructions for Luminaires

ES Instrucciones generales para la instalación y seguridad de luminarias

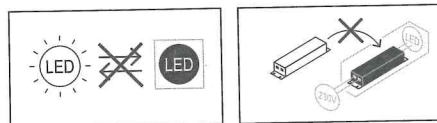
FR Instructions générales de sécurité et d'installation des luminaires

IT Istruzioni generali di installazione e di sicurezza per apparecchi di illuminazione

NL Algemene veiligheids- en installatie-instructies voor armaturen

RU Общие указания по безопасности и установке светильников.

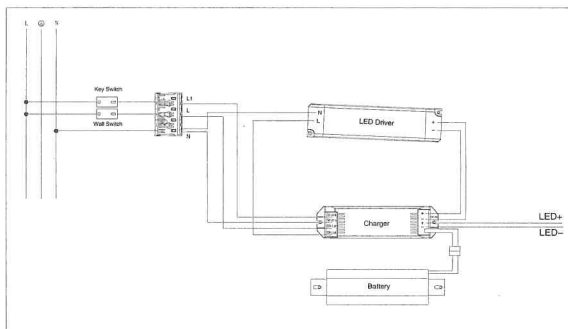
GR Γενικές υποδείξεις ασφάλειας και συναρμολόγησης για φωτιστικά



Luminaire Status	Control LED
Normal	Green : ☀
Emergency	OFF ●
Testing	Green : ● ☀ ● ☀ (⌚ 1s, 1s, 1s ...)
Battery connection fault	Red : ☀
Battery capacity fault	Red : ● ☀ ● ☀ (⌚ 1s, 1s, 1s ...)
Luminaire fault	Red : ● ☀ ● ☀ (⌚ 0.25s, 0.25s, 0.25s ...)

Test	
Initialization ≥ 24 h Normal	Automatic
Daily check of Control LED	Green
Monthly/Weekly functional test (EN 50172) 108s	Automatic test once every 7 days
Yearly duration test (EN 50172) [3h]	Automatic test once every 12 months

Emergency working principle



Non-replaceable battery

1. For emergency function, refer to above drawing, when two switch ON, lamp will be lighted, and the green LED indicator will be lighted also.
2. Lamp will be turned on/off by wall switch, key switch will be ON always, LED indicator will be lighted always also.
3. When turn off two switch, LED indicator will be turned off, and lamp will come to emergency function for 3 hours at least.